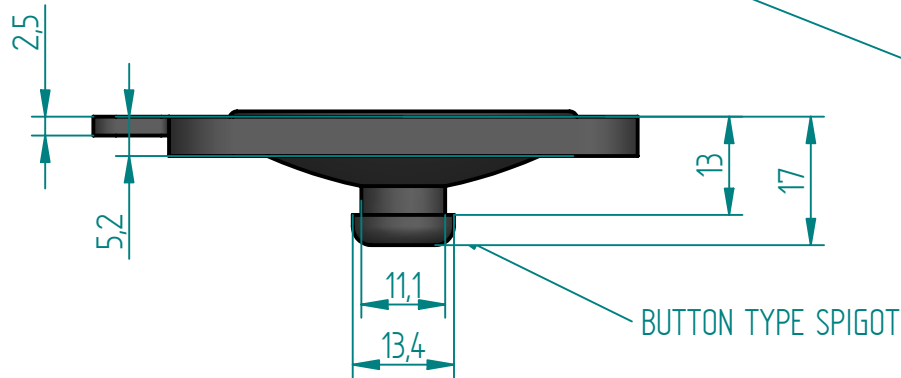
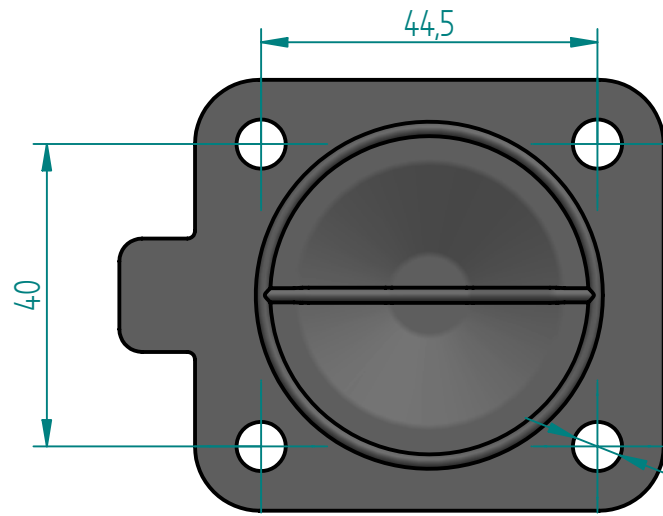
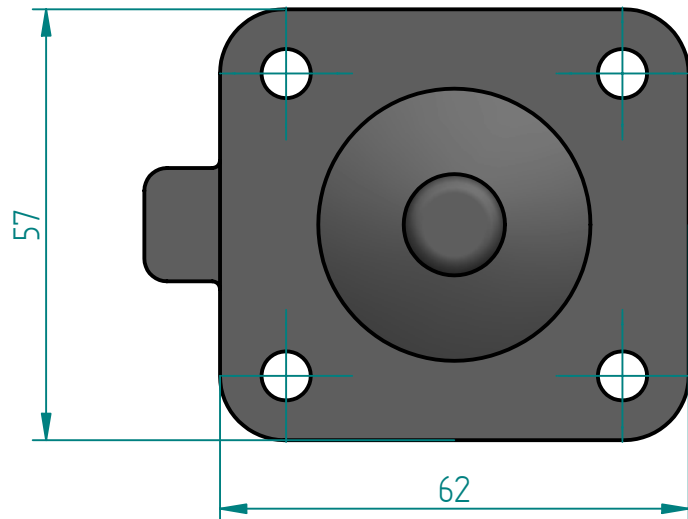
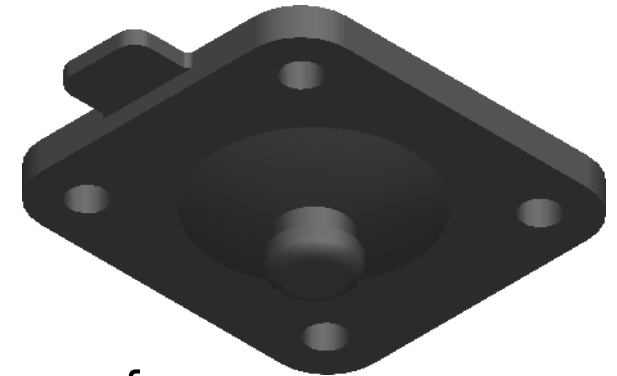
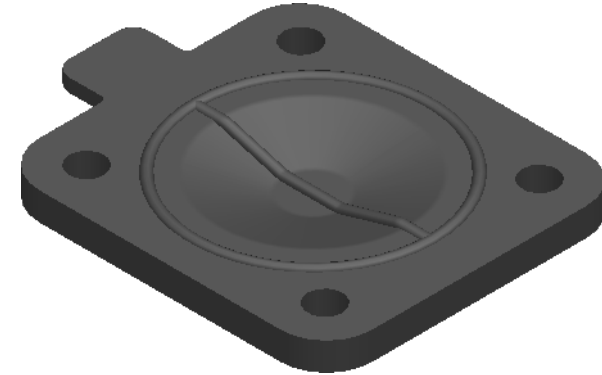


REVISION HISTORY

REV	DESCRIPTION	DATE	APPROVED
B	Removed Kidney features from external Dome.	27/02/22	JB



Ø 6,5 (4 HOLES)



Replacement Diaphragm for :-

OEM PART = N/A - OEM has discontinued.

USED ON 3/4" (DN20) Diaphragm Valve

	NAME	DATE
DRAWN	M.MC KEON	02/27/22
CHECKED	M.MC KEON	02/27/22



Material - BUTYL (IIR)

Complies with CFR 177.2600
and Conforms to
USP Class VI Biological Reactivity
Tests Section #87 and #88

TITLE		DD07-SIIR	
SIZE A	FOOT PRINT DIMENSIONS		REV B
FILE NAME: DD07-SIIR-B.dft			
SCALE: 1 : 1		SHEET 1 OF 1	

Disclaimer - Diaphragm Direct® does not manufacture, represent, nor sell OEM valves or diaphragms manufactured by any other company. Diaphragm Direct® brand diaphragms are not sponsored by any other manufacturers. Any name, model, part number, brand, image, material or referral is for descriptive purposes only. Diaphragm Direct® brand replacement diaphragms are guaranteed to fit OEM equipment and meet or exceed OEM specifications. Diaphragm Direct® brand replacement diaphragms are covered by the standard Diaphragm Direct® limited product warranty.